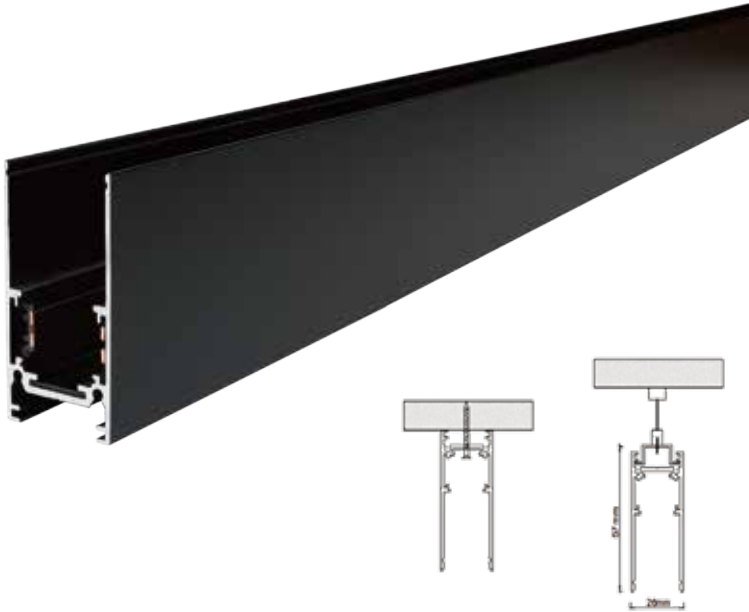


Surface Mounted Track (Suspension)



- 

black
- 

safe
- 

slideable
- 

creative modelling
- 

touchable
- 

four wire design
- 

copper core rail
- 

easy to install
- 

high quality

Model	Voltage	Size(L*W*H)	Cutout(L*W*H)	Installation
TLI-TSM-SMS-BLK-1M	48V	1000*26*46mm	1000*34*60mm	Surface Mounted Suspended
TLI-TSM-SMS-BLK-2M	48V	2000*26*46mm	2000*34*60mm	Surface Mounted Suspended
TLI-TSM-SMS-BLK-3M	48V	3000*26*46mm	3000*34*60mm	Surface Mounted Suspended